

Heated Clothing Installation

On GL1800

Parts List: Jacket Gerbings Signature Series 5436 <http://www.gerbing.com/Products/Liners/gordonLiner.html>
Portable Dual Temp Controller TGOD <http://www.gerbing.com/Products/tempControls.html>
CPAF Glove Adaptor, Female (2 Rqd.)
LED Rocker Switch Calterm #40393 (Purchased at VIP Parts Tires & Service store)
40 Amp Relay Optronics # A-715 (Purchased at VIP Parts Tires & Service store)
Assorted Shrink tubing & Cable armor
Possible suppliers in Concord, N.H. area:
R & R Public Wholesalers Inc <http://www.zvents.com/hooksett-nh/venues/show/464403-r-r-public-wholesalers-inc>
Electronic Surplus Services Inc (Ess) <http://www.manta.com/company/mmg5974>

Objective: Mount & Wire for heated clothing on 2002 Honda GL1800 Gold Wing.

Mount Switch: Drill 1/2" hole in R.H. Faring panel.
(Fig. *Heated Clothing-04(800x600).bmp*)
Ref: Wiring Schematic for switch terminal layout. (*Fig.HC-Wiring.bmp*)

Switched power wired from connector C-26 (Photo-56) in GL1800 Manual.
Located under R.H. speaker.

Mating connector & pins can be obtained from:
Venco Wings (603) 435-5151 <http://www.vencowings.com/index2.html>

Run 2 wires from R.H. faring pocket under top cover over to L.H. frame, under seat.
Ref. Fig. *Heated Clothing-02(800x600).bmp*
Place wire armor over points subject to wear or use cable with outer coating.



Fig. Heated Clothing-04(800x600).bmp

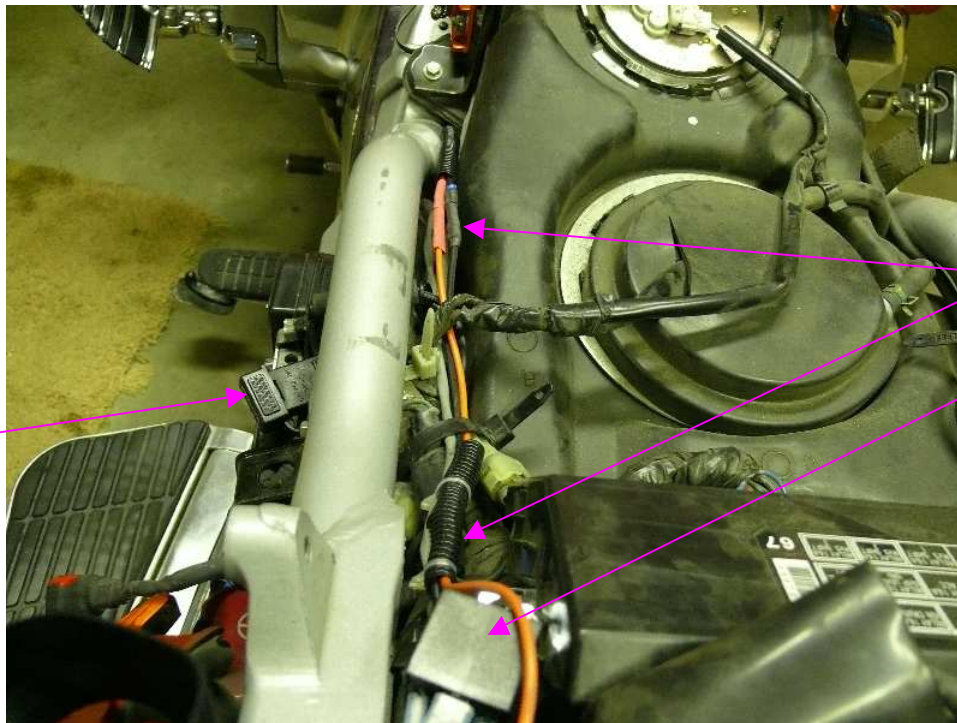


Fig. Heated Clothing-02(800x600).bmp

Mount Relay to screw on L.H. side of fuse box.
Ref. Fig *Heated Clothing-01(800x600).bmp*



Fig. Heated Clothing-01(800x600).bmp

Continued on next page

Heated Clothing Installation On GL1800

Remove battery leads (Neg. lead first) and wire two leads from Pos. & Neg. terminals as per wiring schematic (Fig. *HC-Wiring.bmp*)

- Pos. Lead
- Fuse
- Neg. Lead

Route wires as shown in Fig.'s
 Fig. *Heated Clothing-01(800x600).bmp*
 Fig. *Heated Clothing-02(800x600).bmp*
 Fig. *Heated Clothing-03(800x600).bmp*

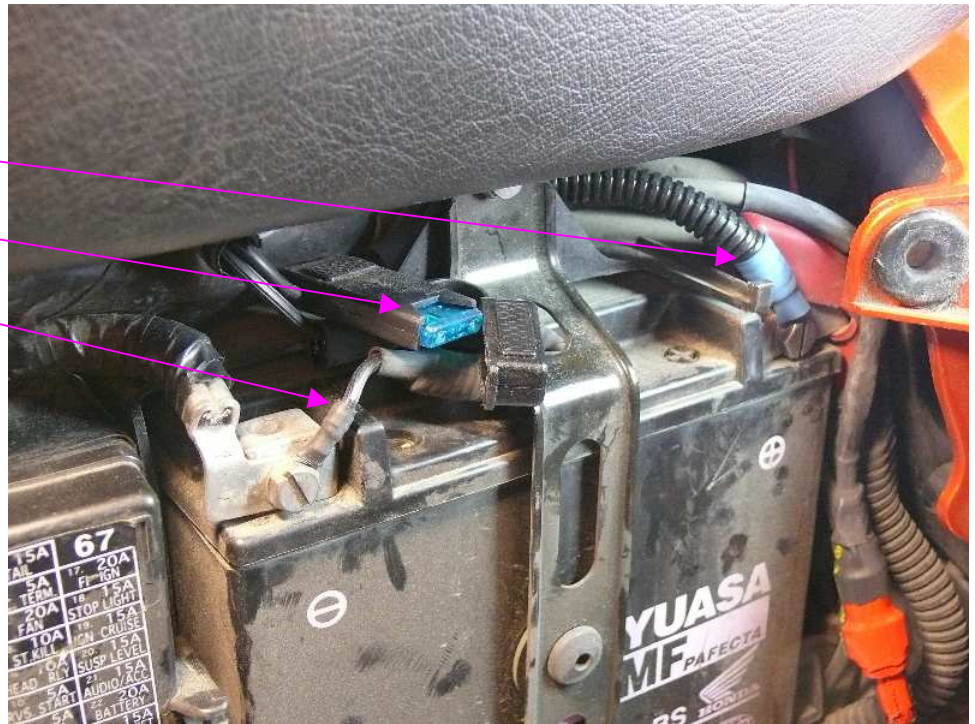


Fig. Heated Clothing-05(800x600).bmp



Fig. Heated Clothing-03(800x600).bmp

Optional mounting for output connector to Dual Controller: (Shown in Fig. *Heated Clothing-03(800x600).bmp*)

NOTE: This is optional! Normal placement would be in same approximate location but not attached to frame.
 Connector just left hanging out a couple of inches.

Drill a hole and tap 8-32 threads. (Position hole so that clamp and connector clears side cover when cover is reinstalled.)
 Use small cable clamp sized to tightly clamp the connector body.
 Use star washers under cable clamp and under screw head.
 A small amount of RTV can be used to assure connector will not push-out of clamp when attaching controller plug.

Ref. Fig.'s *Heated Clothing-08(800x600).bmp* & *Heated Clothing-09(800x600).bmp* (Shown with side cover in place.)

With Dust cap



Fig. Heated Clothing-08(800x600).bmp

Without Dust cap



Fig. Heated Clothing-09(800x600).bmp

Velcro Mounting for Dual Controller



Fig. Heated Clothing-07(800x600).bmp

Final install

Power Connector to Controller



Fig. Heated Clothing-11.bmp

Heated Clothing Master Switch
On R.H. Faring pocket panel

To Jacket & Gloves

Controller Velcro is strap with hook & loop positioned so that strap can be wrapped around cover with Velcro pad to complement the piece on back of controller.

Heated Clothing Installation On GL1800

Heated Clothing Wiring on GL1800 Gold Wing

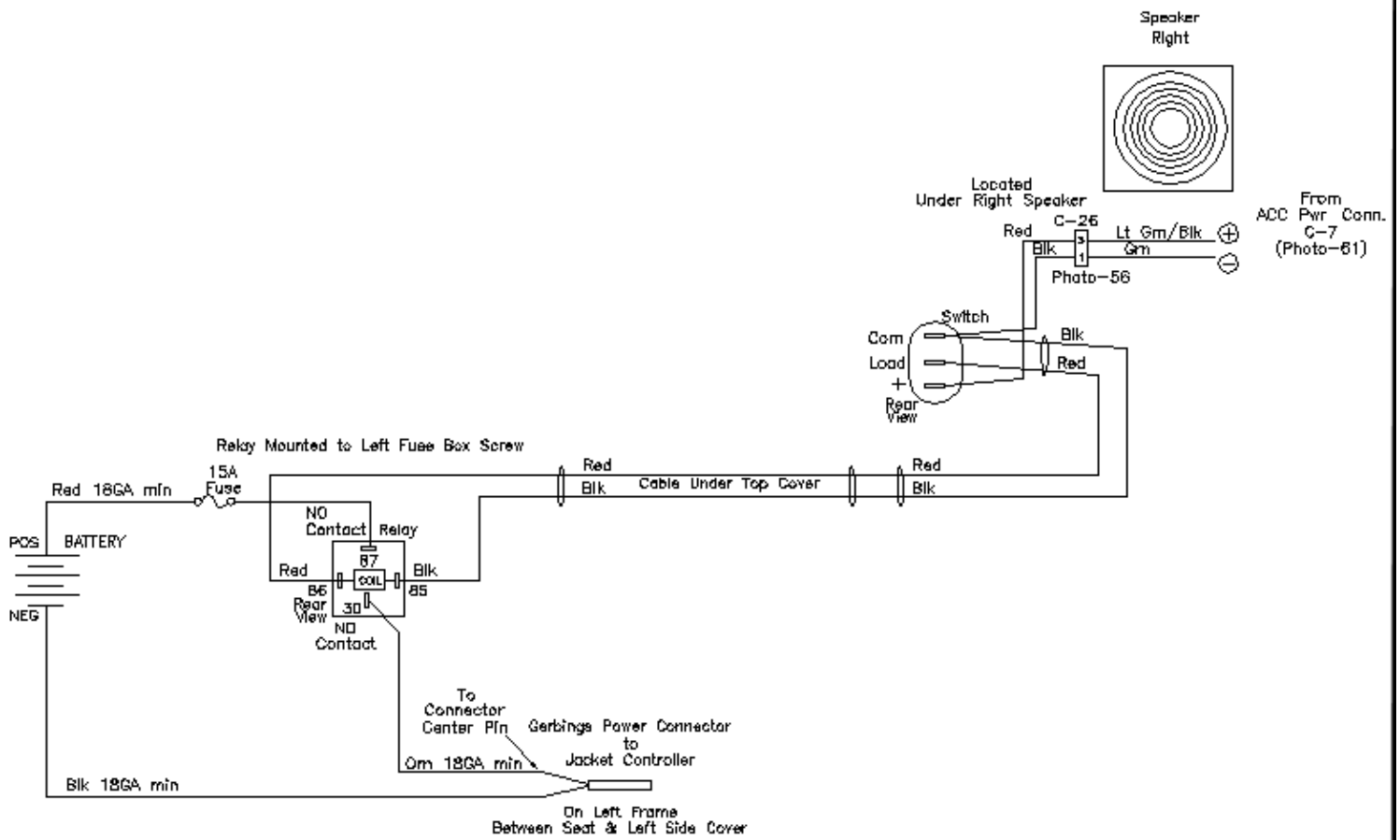


Fig.HC-Wiring.bmp